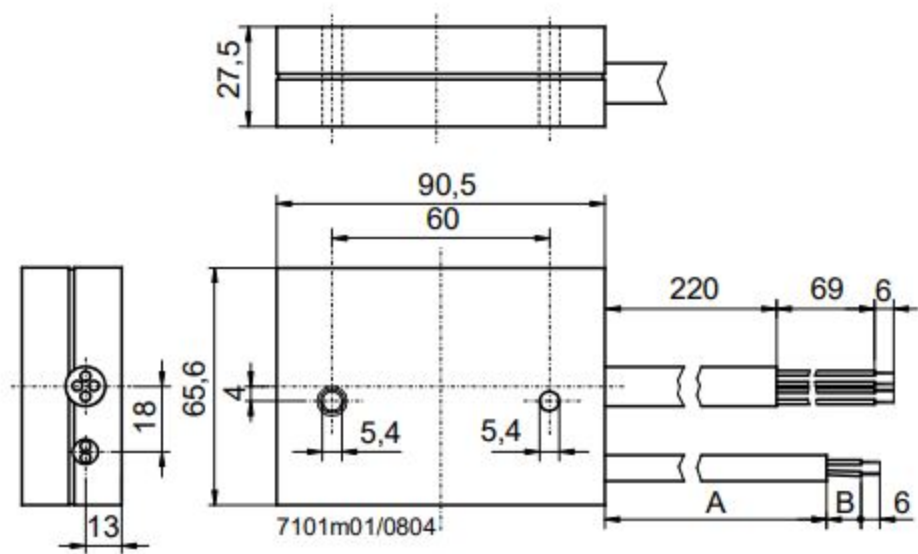


Ancillary unit
AGQ3...A27



Type reference	Dimensions	
	A	B
AGQ3.1A27	500	19
AGQ3.2A27	300	34

Ancillary unit AGQ3

For UV supervision. Can be fitted under the plug-in base.

AGQ3.1A27: Cable length 500 mm

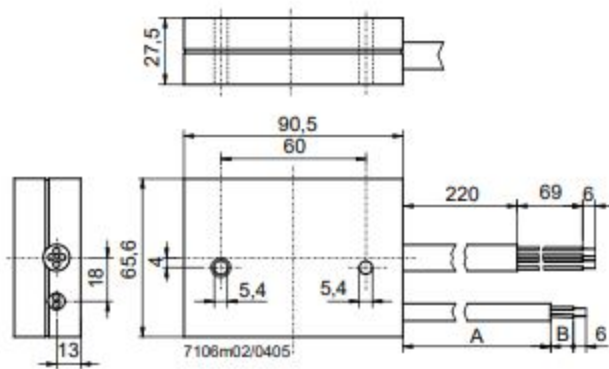
AGQ3.2A27: Cable length 300 mm



Dimensions (cont'd)

Dimensions in mm

Ancillary unit AGQ3.xA27



Type	Dimensions	
	A	B
AGQ3.1A27	500	19
AGQ3.2A27	300	34